



Glavno

| | |
|---------------------------|-------------------------|
| Range of product | Harmony XAC |
| Product or component type | Pendant control station |
| Device short name | XACA |

Komplementarno

| | |
|--|---|
| Control station type | Double insulated |
| Enclosure material | Polypropylene |
| Electrical circuit type | Control circuit |
| Enclosure type | Complete ready for use |
| Control station application | Control of single speed hoist motor |
| Control station composition | 2 push-buttons |
| Control button type | First pushbutton 1 NO raise, slow Second pushbutton 1 NO lower, slow |
| Product compatibility | ZB2BE101 for each direction |
| Mechanical interlocking | With mechanical interlocking |
| Control station colour | Yellow |
| Connections - terminals | Screw clamp terminals 1 x 0.5...1 x 2.5 mm ² without cable end Screw clamp terminals 1 x 0.5...2 x 1.5 mm ² with cable end |
| Standards | EN/IEC 60204-32 EN/IEC 60947-5-1 UL 508 CSA C22.2 No 14 |
| Product certifications | CCC CSA GOST UL |
| Protective treatment | TH |
| Ambient air temperature for operation | -25...70 °C |
| Ambient air temperature for storage | -40...70 °C |
| Vibration resistance | 15 gn 10...500 Hz IEC 60068-2-6 |
| Shock resistance | 100 gn IEC 60068-2-27 |
| Overvoltage category | Class II IEC 61140 |
| IP degree of protection | IP65 IEC 60529 |
| IK degree of protection | IK08 EN 50102 |
| Mechanical durability | 1000000 cycles |
| Cable entry | Rubber sleeve with stepped entry 8...26 mm |
| Contact code designation | A600 AC-15 240 V 3 A IEC 60947-5-1 appendix A A600 AC-15 600 V 1.2 A IEC 60947-5-1 appendix A Q600 DC-13 250 V 0.27 A IEC 60947-5-1 appendix A Q600 DC-13 600 V 0.1 A IEC 60947-5-1 appendix A |
| [Ithe] conventional enclosed thermal current | 10 A |
| [Ui] rated insulation voltage | 600 V 3 |
| [Uimp] rated impulse withstand voltage | 6 kV IEC 60947-1 |
| Contact operation | Slow-break |
| Resistance across terminals | <= 25 MOhm |

Informacije dane u ovoj dokumentaciji sadrže opće opisne i/ili tehničke karakteristike o performansama ovdje sadržanih proizvoda.
Ova dokumentacija nije namijenjena kao zamjena za niti bi se trebala koristiti za određivanje prikladnosti ili pouzdanosti predmetnih proizvoda za konkretne korisničke primjene.
Svaki takav korisnik ili integrator dužan je provesti odgovarajuću i potpunu analizu rizika, procjenu i ispitivanje proizvoda u odnosu na odgovarajuću specifičnu primjenu ili uporabu istog.
Niti društvo Schneider Electric, Industries SAS niti bilo koje od njegovih povezanih poduzeća ili podružnica neće preuzeti obvezu ili snositi odgovornost za pogrešnu upotrebu ovdje sadržanih informacija.

| | |
|-------------------------------|--|
| Operating force | 10 N push-button |
| Short-circuit protection | 10 A fuse protection cartridge gG |
| Rated operational power in W | 40 W DC-13 1000000 cycles 60 cyc/mn 120 V 0.5 inductive IEC 60947-5-1 appendix C 48 W DC-13 1000000 cycles 60 cyc/mn 48 V 0.5 inductive IEC 60947-5-1 appendix C 65 W DC-13 1000000 cycles 60 cyc/mn 24 V 0.5 inductive IEC 60947-5-1 appendix C |
| Terminals description ISO n°1 | (13-14)NO |
| Terminal identifier | (11-12)NC (13-14)NO |
| Product weight | 0.475 kg |

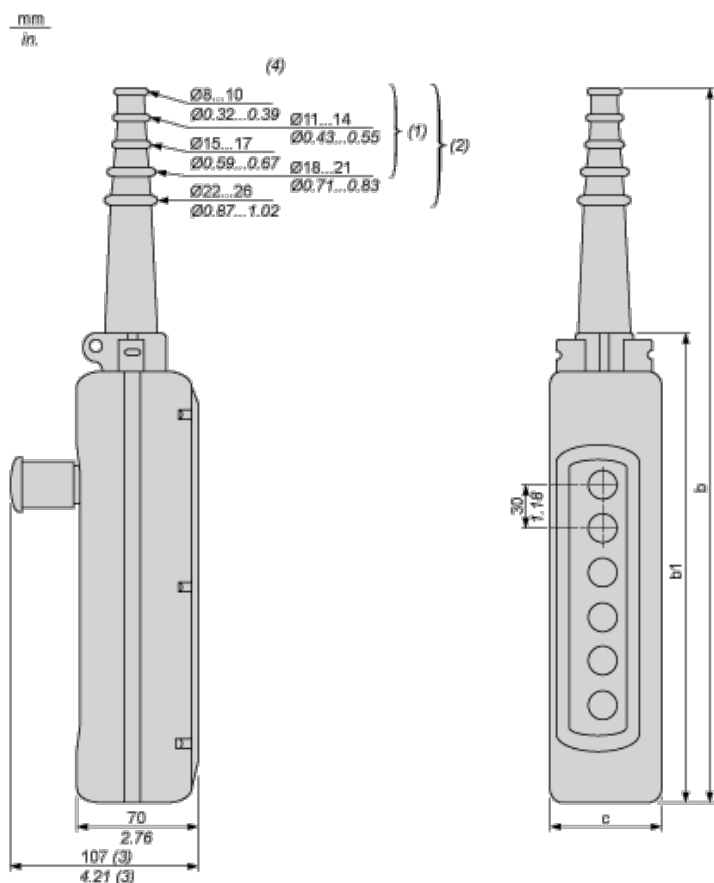
Okolina

Contractual warranty

| | |
|-----------------|-----------|
| Warranty period | 18 months |
|-----------------|-----------|

Dimensions

Below drawing shows a product with 6 cut-outs. Select the number of cut-outs according to the product characteristics in order to get b, b1 and c dimensions.



- (1) For 2 and 3-way XAC A stations.
- (2) For 4 to 8-way XAC A stations.
- (3) With trigger action Emergency stop head operator
- (4) Internal \varnothing

Dimensions in mm

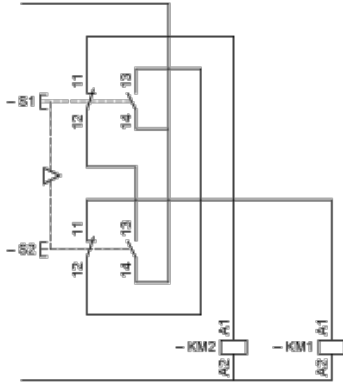
| Number of cut-outs | 2 | 3 | 4 | 5 | 6 | 8 | 12 |
|--------------------|-----|-----|-----|-----|-----|-----|-----|
| b | 314 | 314 | 440 | 440 | 500 | 560 | 680 |
| b1 | 190 | 190 | 250 | 250 | 310 | 370 | 490 |
| c | 80 | 80 | 80 | 80 | 80 | 80 | 92 |

Dimensions in in.

| Number of cut-outs | 2 | 3 | 4 | 5 | 6 | 8 | 12 |
|--------------------|-------|-------|-------|-------|-------|-------|-------|
| b | 12.36 | 12.36 | 17.32 | 17.32 | 19.68 | 22.05 | 26.77 |
| b1 | 7.48 | 7.48 | 9.84 | 9.84 | 12.20 | 14.57 | 19.29 |
| c | 3.15 | 3.15 | 3.15 | 3.15 | 3.15 | 3.15 | 3.62 |

Control of Single-Speed Reversing Motor

With ZBE2BE101 + ZB2BE102 contacts blocks, to be ordered separately

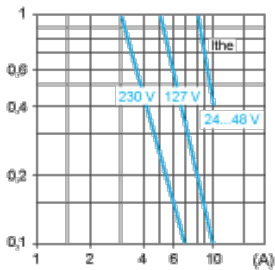


Rated Operational Power

AC Supply 50/60 Hz Inductive Circuit

Operating rate: 3600 operating cycles/hour. Load factor: 0.5.

Millions of operating cycles, AC-15 utilization category



lthe Thermal current

(A) Current

DC Supply

Operating rate: 3600 operating cycles/hour. Load factor: 0.5.

Power broken in W for 1 million operating cycles, DC-13 utilization category

| Voltage | V | 24 | 48 | 120 |
|-------------------|---|----|----|-----|
| Inductive circuit | W | 65 | 48 | 40 |