

XACD24A1231

viseća stanica XAC-D – 1 ozibna poluga 1
zaustavljanje u slučaju nužde



Glavno

| | |
|---------------------------|-------------------------|
| Range of product | Harmony XAC |
| Product or component type | Pendant control station |
| Device short name | XACD |

Komplementarno

| | |
|--|---|
| Control station type | Double insulated |
| Enclosure material | Polypropylene |
| Control type | Intuitive |
| Electrical circuit type | Control circuit |
| Enclosure type | Complete ready for use |
| Control station application | Control of 2-speed hoist motor |
| Motor starter type | Reversing |
| Control station composition | 1 2-directional button + 1 emergency stop |
| Control button type | First direction button 2 NO raise, slow-fast Second direction button 2 NO lower, slow-fast Emergency stop push-button Ø 30 mm 1 NC trigger action |
| Product compatibility | ZB2BE102 for emergency stop XEDS1231 for reversing operation |
| Mechanical interlocking | With mechanical interlocking |
| Control station colour | Yellow |
| Connections - terminals | Screw clamp terminals 1 x 2.5 mm ² with or without cable end Screw clamp terminals 2 x 1.5 mm ² with or without cable end |
| Standards | EN/IEC 60204-32 EN/IEC 60947-5-1 EN/IEC 60947-5-5 EN/ISO 13850: 2006 UL 508 CSA C22.2 No 14 |
| Protective treatment | TH |
| Ambient air temperature for operation | -25...70 °C |
| Ambient air temperature for storage | -40...70 °C |
| Vibration resistance | 15 gn 10...500 Hz IEC 60068-2-6 |
| Shock resistance | 70 gn IEC 60068-2-27 |
| Overvoltage category | Class II IEC 61140 |
| IP degree of protection | IP65 IEC 60529 |
| IK degree of protection | IK08 EN 50102 |
| Mechanical durability | 3000000 cycles |
| Cable entry | Rubber sleeve with stepped entry 7...18 mm |
| Contact code designation | A600 AC-15 240 V 3 A IEC 60947-5-1 appendix A A600 AC-15 600 V 1.2 A IEC 60947-5-1 appendix A Q600 DC-13 250 V 0.27 A IEC 60947-5-1 appendix A Q600 DC-13 600 V 0.1 A IEC 60947-5-1 appendix A |
| [I _{th}] conventional enclosed thermal current | 16 A |
| [U _i] rated insulation voltage | 600 V 3 IEC 60947-1 |

Informacije dane u ovoj dokumentaciji sadrže opće opise i/ili tehničke karakteristike o performansama ovdje sadržanih proizvoda.
Ova dokumentacija nije namijenjena kao zamjena za niti bi se trebala koristiti za određivanje prikladnosti ili pouzdanosti predmetnih proizvoda za konkretne korisničke primjene.
Svaki takav korisnik ili integrator dužan je provesti odgovarajuću i potpunu analizu rizika, procjenu i ispitivanje proizvoda u odnosu na odgovarajuću specifičnu primjenu ili uporabu istog.
Niti društvo Schneider Electric, Industries SAS niti bilo koje od njegovih povezanih poduzeća ili podružnica neće preuzeti obvezu ili snositi odgovornost za pogrešnu upotrebu ovdje sadržanih informacija.

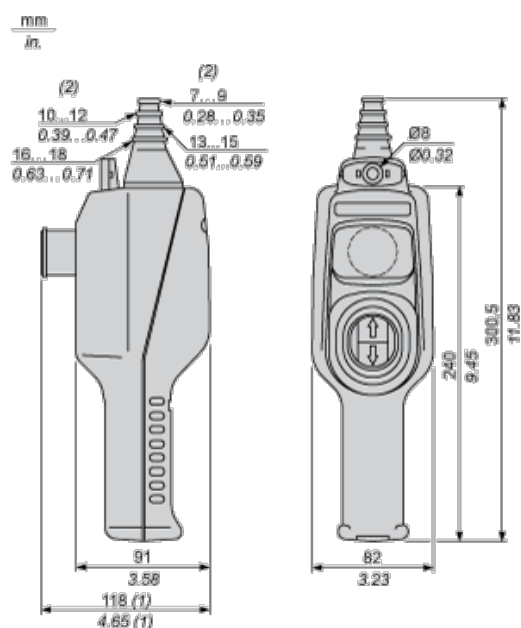
| | |
|--|--|
| [Uimp] rated impulse withstand voltage | 6 kV IEC 60947-1 |
| Contact operation | Snap action Staggered |
| Resistance across terminals | <= 25 MOhm |
| Operating force | 16 N |
| Short-circuit protection | 10 A fuse protection cartridge gG |
| Rated operational power in W | 40 W DC-13 1000000 cycles 60 cyc/mn 120 V 0.5 inductive IEC 60947-5-1 appendix C 48 W DC-13 1000000 cycles 60 cyc/mn 48 V 0.5 inductive IEC 60947-5-1 appendix C 65 W DC-13 1000000 cycles 60 cyc/mn 24 V 0.5 inductive IEC 60947-5-1 appendix C |
| Terminals description ISO n°1 | (13-14)NO (23-24)NO_CL (33-34)NO (43-44)NO_CL |
| Terminals description ISO n°2 | (11-12)NC |
| Terminal identifier | (11-12)NC (13-14)NO |
| Product weight | 0.42 kg |

Okolina

Contractual warranty

| | |
|-----------------|-----------|
| Warranty period | 18 months |
|-----------------|-----------|

Dimensions



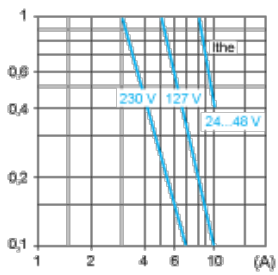
- (1) With trigger action latching Ø 30 mm / 1.18 in. Emergency stop.
- (2) Internal Ø

Rated Operational Power

AC Supply 50/60 Hz Inductive Circuit

Operating rate: 3600 operating cycles/hour. Load factor: 0.5.

Millions of operating cycles, AC-15 utilization category



I_{the} Thermal current

(A) Current

DC Supply

Operating rate: 3600 operating cycles/hour. Load factor: 0.5.

Power broken in W for 1 million operating cycles, DC-13 utilization category

| Voltage | V | 24 | 48 | 120 |
|-------------------|---|----|----|-----|
| Inductive circuit | W | 65 | 48 | 40 |