

XACD24P3121

viseća upravljačka stanica XAC-D-1 2-smjerni gumb
1 zaust.u slučaju nužde



Glavno

| | |
|---------------------------|-------------------------|
| Range of product | Harmony XAC |
| Product or component type | Pendant control station |
| Device short name | XACD |

Komplementarno

| | |
|----------------------------------------------|-----------------------------------------------------------------------------------------------------------------------------------------------------------------------------|
| Control station type | Double insulated |
| Enclosure material | Polypropylene |
| Control type | Intuitive |
| Electrical circuit type | Power circuit |
| Enclosure type | Complete ready for use |
| Control station application | Control of single speed hoist motor |
| Motor starter type | Reversing |
| Control station composition | 1 2-directional button + 1 emergency stop |
| Control button type | Emergency stop push-button Ø 30 mm 3 NC trigger action First direction button 1 NO (brake) 2-pole raise, slow Second direction button 1 NO (brake) 2-pole lower, slow |
| Product compatibility | XEDS3121 for reversing operation XENT1991 for emergency stop |
| Mechanical interlocking | With mechanical interlocking |
| Control station colour | Yellow |
| Connections - terminals | Screw clamp terminals 1 x 2.5 mm ² with or without cable end Screw clamp terminals 2 x 1.5 mm ² with or without cable end |
| Standards | EN/IEC 60204-32 EN/IEC 60947-5-1 EN/IEC 60947-5-5 EN/ISO 13850: 2006 UL 508 CSA C22.2 No 14 |
| Protective treatment | TH |
| Ambient air temperature for operation | -25...70 °C |
| Ambient air temperature for storage | -40...70 °C |
| Vibration resistance | 15 gn 10...500 Hz IEC 60068-2-6 |
| Shock resistance | 100 gn IEC 60068-2-27 |
| Overvoltage category | Class II IEC 61140 |
| IP degree of protection | IP65 IEC 60529 |
| IK degree of protection | IK08 EN 50102 |
| Mechanical durability | 3000000 cycles |
| Cable entry | Rubber sleeve with stepped entry 7...18 mm |
| [Ithe] conventional enclosed thermal current | 10 A XENT.... 16 A XEDS.... |
| [Ui] rated insulation voltage | 500 V 3 IEC 60947-1 400 V 3 emergency stop contact |
| [Uimp] rated impulse withstand voltage | 6 kV IEC 60947-1 4 kV emergency stop contact |

Informacije dane u ovoj dokumentaciji sadrže opće opise i/ili tehničke karakteristike o performansama ovdje sadržanih proizvoda.
Ova dokumentacija nije namijenjena kao zamjena za niti bi se trebala koristiti za određivanje prikladnosti ili pouzdanosti predmetnih proizvoda za konkretne korisničke primjene.
Svaki takav korisnik ili integrator dužan je provesti odgovarajuću i potpunu analizu rizika, procjenu i ispitivanje proizvoda u odnosu na odgovarajuću specifičnu primjenu ili uporabu istog.
Niti društvo Schneider Electric Industries SAS niti bilo koje od njegovih povezanih podružnica neće preuzeti obvezu ili snositi odgovornost za pogrešnu upotrebu ovdje sadržanih informacija.

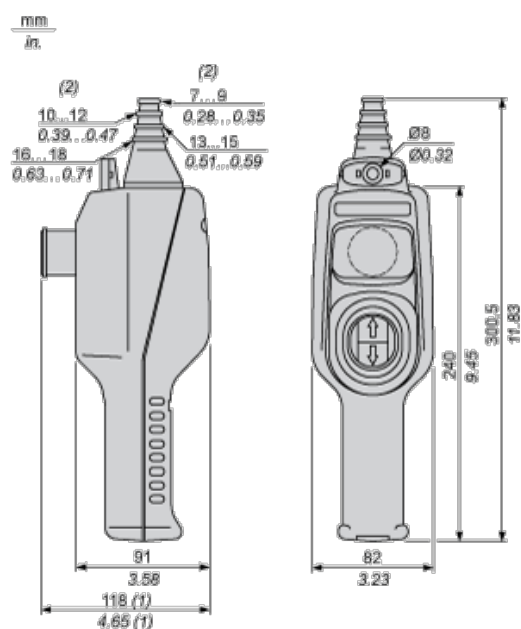
| | |
|------------------------------|------------------------------------------------------------------------------------------------------------------------------------------------|
| Contact operation | Snap action |
| Operating force | 28 N |
| Short-circuit protection | <= 6 A fuse protection cartridge aM |
| Rated operational power in W | 2200 W AC-3 400 V IEC 60947-3 appendix A 2200 W AC-4 400 V IEC 60947-3 appendix A 3000 W AC-23B 400 V |
| Electrical durability | 1000000 cycles AC-3 2200 W 400 V 10 cyc/mn 0.4 IEC 60947-3 appendix A 1000000 cycles AC-4 2200 W 400 V 10 cyc/mn 0.4 IEC 60947-3 appendix A |
| Terminal identifier | (11-12)NC (13-14)NO |
| Product weight | 0.41 kg |

Okolina

Contractual warranty

| | |
|-----------------|-----------|
| Warranty period | 18 months |
|-----------------|-----------|

Dimensions



- (1) With trigger action latching Ø 30 mm / 1.18 in. Emergency stop.
(2) Internal Ø