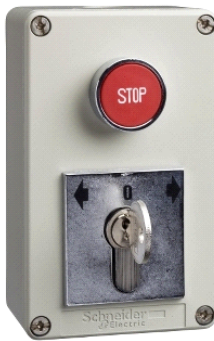


XAPS21431

površinski montirana uprav.stan.otporna na
vandalizam–XAP-S–brava i 1 gumb



Glavno

Range of product	Harmony XAPS
Product or component type	Key operated control station
Device short name	XAPS
Product mounting	Surface mounted
Control station composition	1 key selector switch spring return to center 1 NO left arrow-O-right arrow 1 push-button spring return 1 NO STOP
Operator position information	3 positions
Key withdrawal position	Center
Contact operation	Slow-break

Komplementarno

Cable entry	1 tapped entry for cable gland <= 12 mm
Product weight	1.07 kg
Connections - terminals	Screw clamp terminals <= 2 x 1.5 mm ² with cable end EN/IEC 60947-1 Screw clamp terminals >= 1 x 0.22 mm ² without cable end EN/IEC 60947-1
Tightening torque	0.8...1.2 N.m EN/IEC 60947-1
Shape of screw head	Cross Philips no 1 Cross pozidriv No 1 Slotted flat Ø 4 mm Slotted flat Ø 5.5 mm
Contacts material	Silver alloy (Ag/Ni)
Resistance across terminals	<= 25 MOhm
Short-circuit protection	10 A cartridge fuse gG IEC 60947-5-1
[Ith] conventional free air thermal current	10 A IEC 60947-5-1
[Ui] rated insulation voltage	600 V 3 IEC 60947-1
[Uimp] rated impulse withstand voltage	6 kV IEC 60947-1
[Ie] rated operational current	3 A 240 V AC-15 A600 IEC 60947-5-1 6 A 120 V AC-15 A600 IEC 60947-5-1 0.1 A 600 V DC-13 Q600 IEC 60947-5-1 0.27 A 250 V DC-13 Q600 IEC 60947-5-1 0.55 A 125 V DC-13 Q600 IEC 60947-5-1 1.2 A 600 V AC-15 A600 IEC 60947-5-1
Compatibility code	XAPS

Okolina

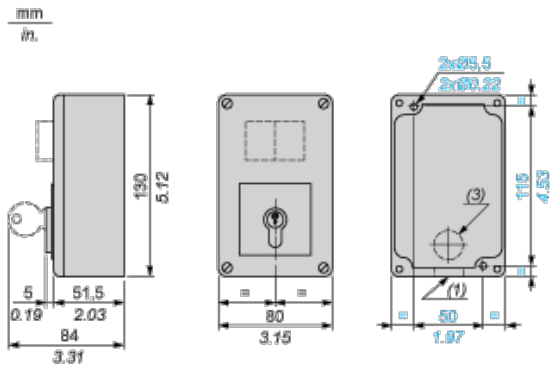
protective treatment	TC
ambient air temperature for storage	-40...70 °C
ambient air temperature for operation	-25...70 °C
electrical shock protection class	Class I IEC 60536
IP degree of protection	IP54 IEC 60529
IK degree of protection	IK08 EN 50102
standards	EN/IEC 60947-5-1

Contractual warranty

Warranty period	18 months
-----------------	-----------

Informacije dane u ovoj dokumentaciji sadrže opće opise i/ili tehničke karakteristike o performansama ovdje sadržanih proizvoda.
Ova dokumentacija nije namijenjena kao zamjena za niti bi se trebala koristiti za određivanje prikladnosti ili pouzdanosti predmetnih proizvoda za konkretne korisničke primjene.
Svaki takav korisnik ili integrator dužan je provesti odgovarajuću i potpunu analizu rizika, procjenu i ispitivanje proizvoda u odnosu na odgovarajuću specifičnu primjenu ili uporabu istog.
Niti društvo Schneider Electric, Industries SAS niti bilo koje od njegovih povezanih poduzeća ili podružnica neće preuzeti obvezu ili snositi odgovornost za pogrešnu upotrebu ovdje sadržanih informacija.

Dimensions and Fixing



- (1) 1 tapped entry for 12 mm/0.47 in. maximum capacity cable gland.
- (3) Optional: cable entry through rear.