

## XAPS24331

podžbukna upravljačka stanica otporna na vandalizam  
– XAP-S – brava i 1 gumb



### Glavno

Range of product	Harmony XAPS
Product or component type	Key operated control station
Device short name	XAPS
Product mounting	Flush mounting
Control station composition	1 key selector switch stay put 1 NO left arrow-O-right arrow 1 push-button spring return 1 NO STOP
Operator position information	3 positions
Key withdrawal position	Center
Contact operation	Slow-break

### Komplementarno

Product weight	1.18 kg
Connections - terminals	Screw clamp terminals $\leq 2 \times 1.5 \text{ mm}^2$ with cable end EN/IEC 60947-1 Screw clamp terminals $\geq 1 \times 0.22 \text{ mm}^2$ without cable end EN/IEC 60947-1
Tightening torque	0.8...1.2 N.m EN/IEC 60947-1
Shape of screw head	Cross Philips no 1 Cross pozidriv No 1 Slotted flat $\varnothing 4 \text{ mm}$ Slotted flat $\varnothing 5.5 \text{ mm}$
Contacts material	Silver alloy (Ag/Ni)
Resistance across terminals	$\leq 25 \text{ MOhm}$
Short-circuit protection	10 A cartridge fuse gG IEC 60947-5-1
[Ith] conventional free air thermal current	10 A IEC 60947-5-1
[Ui] rated insulation voltage	600 V 3 IEC 60947-1
[Uimp] rated impulse withstand voltage	6 kV IEC 60947-1
[Ie] rated operational current	3 A 240 V AC-15 A600 IEC 60947-5-1 6 A 120 V AC-15 A600 IEC 60947-5-1 0.1 A 600 V DC-13 Q600 IEC 60947-5-1 0.27 A 250 V DC-13 Q600 IEC 60947-5-1 0.55 A 125 V DC-13 Q600 IEC 60947-5-1 1.2 A 600 V AC-15 A600 IEC 60947-5-1
Compatibility code	XAPS

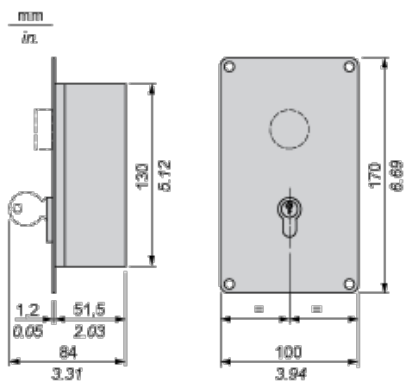
### Okolina

protective treatment	TC
ambient air temperature for storage	-40...70 °C
ambient air temperature for operation	-25...70 °C
electrical shock protection class	Class I IEC 60536
IP degree of protection	IP54 IEC 60529
IK degree of protection	IK08 EN 50102
standards	EN/IEC 60947-5-1

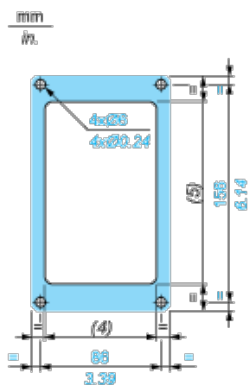
### Contractual warranty

Warranty period	18 months
-----------------	-----------

### Dimensions



## Panel Cut-Out



- (4) 81 mm/3.19 in. min.
- (5) 131 mm/5.16 in. min.