



### Glavno

Range of product	Harmony XAR
Product or component type	Hand-held remote control
Device short name	ZART
Control button type	6 configurable motion push-button 2 configurable auxiliary push-button

### Komplementarno

Device application	Slave in multiple bridge control (tandem)
Material	Enclosure: PC (polycarbonate) Enclosure: PBT (polybutylene terephthalate) Cover: PP (polypropylene) Protective cover: EPDM rubber
Function available	Accelerometer function
Display type	4 LEDs
Operating distance	50 m
Mechanical robustness	4.5 m free fall resistance conforming to IEC 60068-2-27
Communication network type	Wireless: bluetooth low energy
Transmission frequency	2.4 GHz
Maximum sensing distance	100 m in free field
Response time	< 300 ms at full duplex
Charging time	900 s
Autonomy	30 h
Battery type	Rechargeable
Mechanical durability	5000000 cycles
Service life	5 yr
Width	100 mm
Height	340 mm
Depth	90 mm
Product weight	0.65 kg

### Okolina

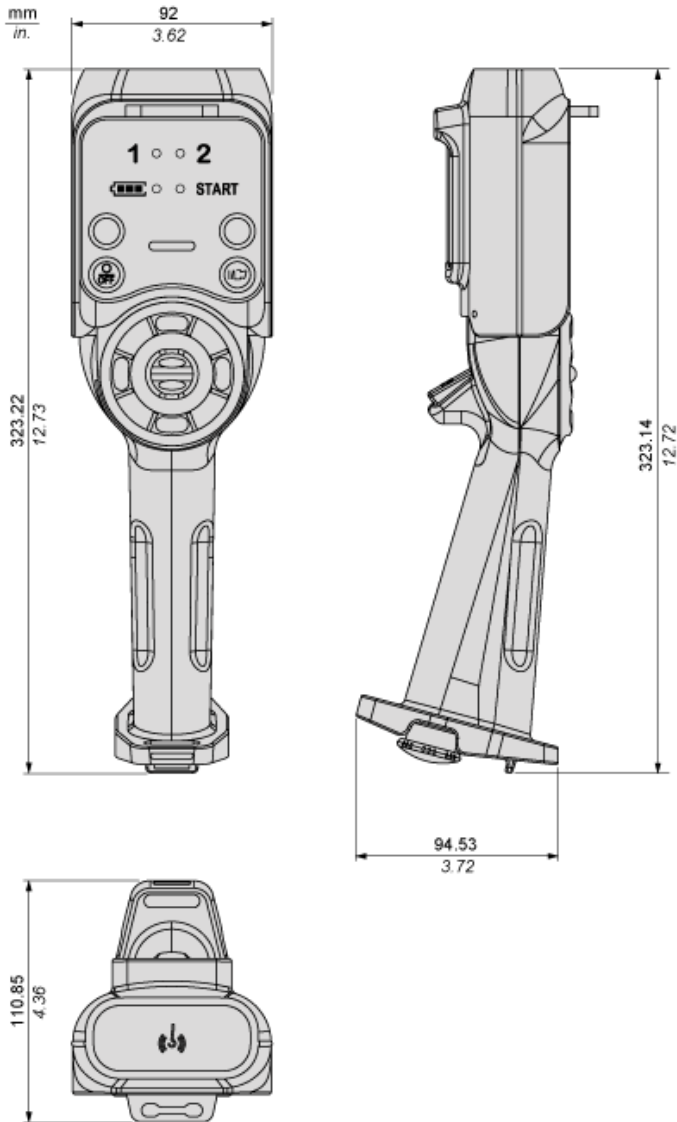
radio agreement	ANATEL SRRC FCC RSS ICASA ARIB
IP degree of protection	IP65
NEMA degree of protection	NEMA 4
ambient air temperature for operation	> -20...60 °C
ambient air temperature for storage	> -20...45 °C
operating altitude	0...2000 m
storage altitude	0...3000 m
vibration resistance	0.075 mm (f= 10...55 Hz) conforming to IEC 60068-2-6
shock resistance	100 gn conforming to IEC 60068-2-27
relative humidity	0...95 % (temperature : > -20...60 °C) (operating)

Informacije dane u ovoj dokumentaciji sadrže opće opise i/ili tehničke karakteristike o performansama ovdje sadržanih proizvoda.  
Ova dokumentacija nije namijenjena kao zamjena za niti bi se trebala koristiti za određivanje prikladnosti ili pouzdanosti predmetnih proizvoda za konkretne korisničke primjene.  
Svaki takav korisnik ili integrator dužan je provesti odgovarajuću i potpunu analizu rizika, procjenu i ispitivanje proizvoda u odnosu na odgovarajuću specifičnu primjenu ili uporabu istog.  
Niti društvo Schneider Electric Industries SAS niti bilo koje od njegovih povezanih poduzeća ili podružnica neće preuzeti obvezu ili snositi odgovornost za pogrešnu upotrebu sadržanih informacija.

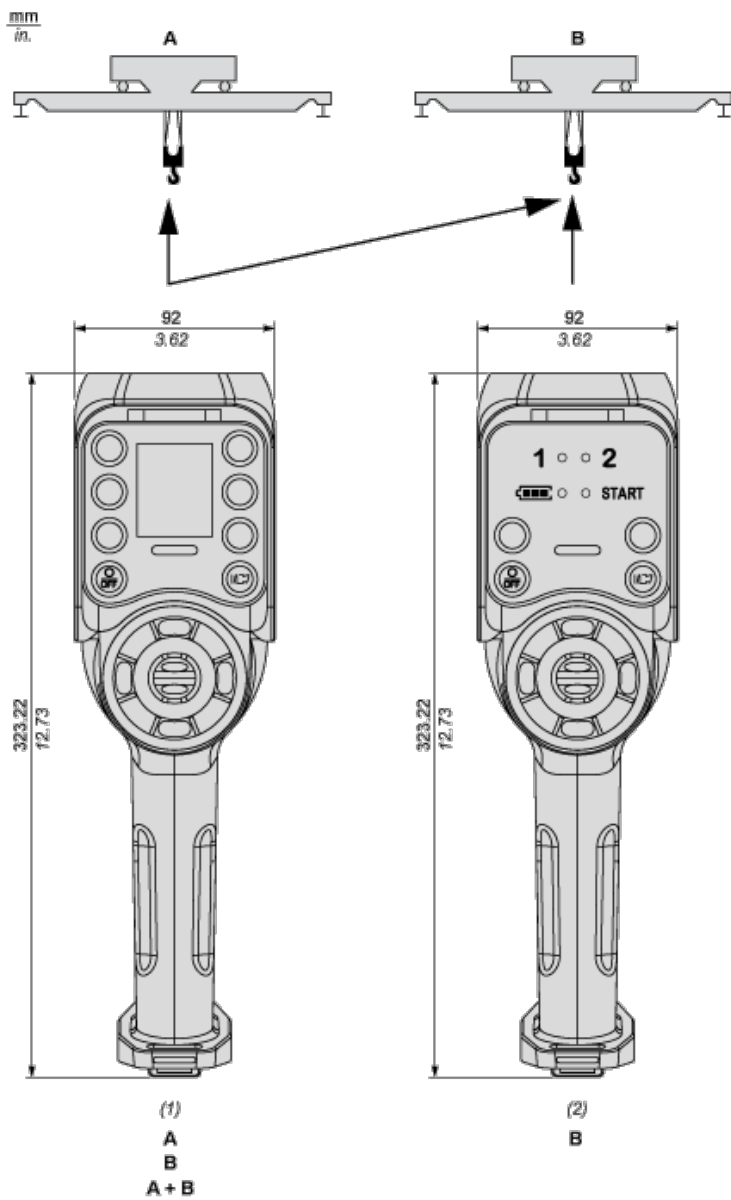
product certifications

CE  
CSA  
C-Tick  
UL  
EAC  
JIS  
KC

## Dimensions



## Multiple Bridge Control



- A : Bridge 1
- B : Bridge 2
- (1) Master
- (2) Slave