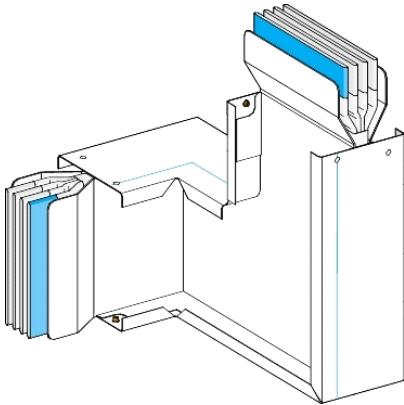


KTA0800CP34

Canalis – Aluminijska rubna i plošna N4 Zed jedinica –
0800 A – 3L+PE



Glavno

Range	Canalis
Product name	KT
Product or component type	Multiple elbow
Busbar description	Standard
Device short name	KTA
Device application	Change direction
Material	Aluminium
[Ie] rated operational current	800 A at 35 °C
Busbar trunking polarity	3L + PE
Direction change type	Direction 2: edgewise to upward Direction 1: flat to left
Operating angle	90 °
Earth circuit	Standard earth
Variant	Standard version
Provided equipment	Trunking unit Joining unit

Komplementarno

Housing material	Polyester film
Contacts material	Copper
[Ue] rated operational voltage	1000 V
Network frequency	50/60 Hz
[Ui] rated insulation voltage	1000 V
[Icw] rated short-time withstand current	31 kA
[Ipk] rated peak withstand current	64 kA
Radiated magnetic field	0.4 μT
Thermal stress limit	961 A².s
THDI	0...15 %, maximum load current: 800 A 15...33 %, maximum load current: 1000 A 33...100 %, maximum load current: 1250 A
Voltage drop	With $\cos \varphi = 1$, 0.0083 V at 50 Hz with 1A for 100 m long With $\cos \varphi = 0.9$, 0.0081 V at 50 Hz with 1A for 100 m long With $\cos \varphi = 0.8$, 0.0076 V at 50 Hz with 1A for 100 m long With $\cos \varphi = 0.7$, 0.0069 V at 50 Hz with 1A for 100 m long
Neutral position	Left
Standards	IEC 61439-1 IEC 61439-6
Dimension type	Made to measure
Width	140 mm
Height	Direction 2: 195...574 mm
Colour	White: RAL 9001
Length	Direction 1: 300 mm Direction 3: 275 mm
Linear load	12 kg/m

Okolina

IP degree of protection	IP55 conforming to IEC 60529
IK degree of protection	IK08 conforming to IEC 62262

Informacije dane u ovoj dokumentaciji sadrže opće opise i/ili tehničke karakteristike o performansama ovdje sadržanih proizvoda.
Ova dokumentacija nije namijenjena kao zamjena za niti bi se trebala koristiti za određivanje prikladnosti ili pouzdanosti predmetnih proizvoda za konkretne korisničke primjene.
Svaki takav korisnik ili integrator dužan je provesti odgovarajuću i potpunu analizu rizika, procjenu i ispitivanje proizvoda u odnosu na odgovarajuću specifičnu primjenu ili uporabu istog.
Niti društvo Schneider Electric, Industries SAS niti bilo koje od njegovih povezanih poduzeća ili podružnica neće preuzeti obvezu ili snositi odgovornost za pogrešnu upotrebu ovdje sadržanih informacija.

ambient air temperature for operation	100 % of In at 0...35 °C
	97 % of In at 35...40 °C
	93 % of In at 40...45 °C
	90 % of In at 45...50 °C
	86 % of In at 50...55 °C

Offer Sustainability

Not Green Premium product	Not Green Premium product
Compliant - since 0949 - Schneider Electric declaration of conformity	Compliant - since 0949 - Schneider Electric declaration of conformity
Available	Available
Need no specific recycling operations	Need no specific recycling operations